

# EVERDIGM DURARING

- Absolute workability
- Advanced casing system

- Quality forged material
- Effective air-flow

- Hole straightness
- Quality carbide

## CONCENTRIC OVERBURDEN SYSTEM

Drilled Hole Diameter 475 mm  
Casing Size O/D 457 mm  
I/D 425 mm

E-mail : [rocktool@everdigm.com](mailto:rocktool@everdigm.com)



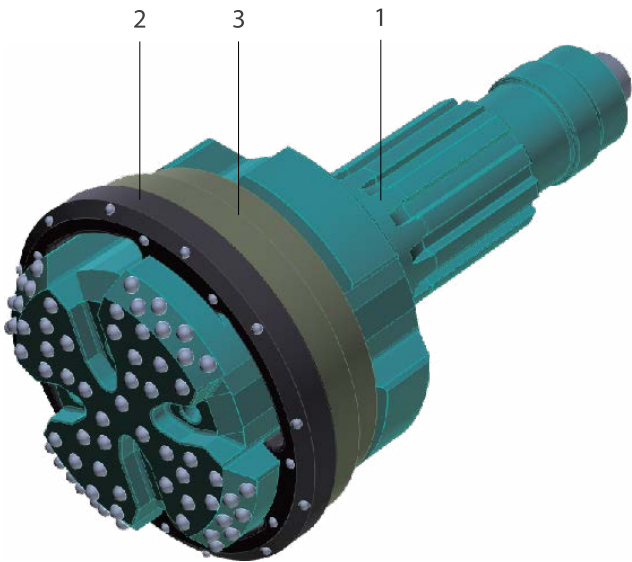


# EVERDIGM

## DURARING457

DURARING457 is a concentric overburden system designed for casing of 475mm diameter hole, specialized through hard formation into bed rock.

### TECHNICAL SPECIFICATION

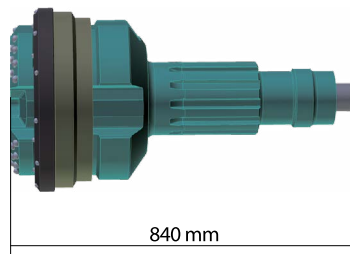


#### PART NAME

NO.	PART NAME	EA	PART NO.
1	Pilot Bit	1	TBA
2	Ring Bit	1	TBA
3	Casing Shoe	3	TBA

#### SPECIFICATION

ITEM	SIZE
Major Body Diameter	422mm
Length	840mm
Ring Outer Diameter	475mm
Casing Size	425mm
Total Weight	380kg



#### SIZING CHART

ITEM	STATUS	SIZE
Ring Diameter	Inner Diameter	399mm
	Outer Diameter	475mm
Casing	Inner Diameter	425mm
	Outer Diameter	457mm
Hammer Type	N120	