



Watching Video

Concrete Pumps / Boom Pumps

ECP56CX-5

Boom Type

5 section RZ-folding

Vertical Reach

56m

Horizontal Reach

51.2m

Depth Reach

40.1m

Delivery Pipe Diameter

125mm

Slewing Range

360°

Outrigger

Diagonal extension (Front)

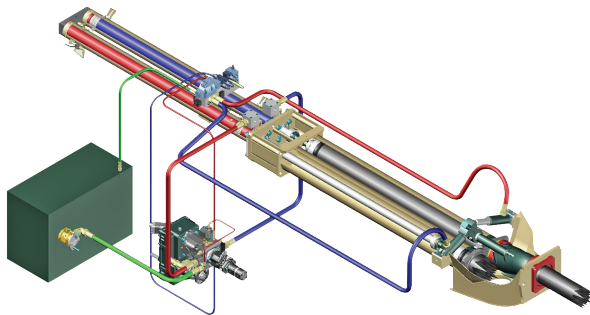
Swing-out (Rear)



EVERDIGM

FFH SYSTEM (Free Flow Hydraulic)

This type of FFH Hydraulic Pressurized Systems combined with **Rexroth**[®] pumps and **Hawe**[®] boom control block is widely recognized to all over the world due to efficiency and stability. Currently Everdigm Pumps are applying these systems for longtime and widely known and also proven the products to everyone. Based on these facts FFH systems are used all over the world and mostly welcomed. Efficient pumps, less boom bouncing and less noise for while it operates. As above all, these reasons they are providing comfortable working area.



FEATURES

PUMPING UNIT

- _____ Closed-loop Free Flow Hydraulic System
- _____ Inductive Proximity Switch and Indicator
- _____ Single Lip Concrete Piston
- _____ Hard-Chromed Concrete Cylinder

BOOM & STRUCTURE

- _____ 5 Stage RZ-Folding Boom
- _____ Diagonal Extension Front Outrigger (Two Stage)
- _____ Swing Rear Outrigger (One Stage)
- _____ Outrigger Pilot Check Valves
- _____ Hyd. Motor and Gear Type Boom Slewing
- _____ High Pressure End Hose (3m)
- _____ Boom & Deck Pipe Diameter 125mm
- _____ Greasing Port on Boom Link and Pedestal
- _____ Bubble Gauge on Both Side
- _____ Water Pump, Water Tank, Cleaning Hose and Spray Nozzle
- _____ Working Light on Pedestal and Platform

HOPPER

- _____ Easy Clean Type Hopper
- _____ Hi-Manganese Agitating Paddle
- _____ 600 Liter Volume Hopper
- _____ Hopper Outlet Diameter 180mm
- _____ S2018 Type S-tube (Dia.200-180mm)
- _____ Flap Elbow (Dia.180-150mm) with Cleaning Port
- _____ Reducing Pipe (150-125mm)
- _____ Tungsten Carbide Wear Ring and Plate
- _____ Hydraulic Agitator Motors on Both Side Hopper
- _____ Auto Lubrication
- _____ Working Light on Hopper

- _____ Direct connecting main pump and hydraulic cylinders improve pumping efficiency
- _____ Less peak pressure & less boom bouncing by peak pressure control
- _____ No need of big oil tank
- _____ Cut down maintenance cost
- _____ Applying suction filter
- _____ Prevent contamination in main pump
- _____ Centralized pumping controller
- _____ Easy access and maintenance

CONTROL KIT

- _____ Wire Remote Control (40m Cord)
- _____ Wireless Remote Control (Proportional)
- _____ Remote ON/OFF Pumping
- _____ Remote ON/FF Engine
- _____ Infinite Variable RPM Control
- _____ Boom Control Block
- _____ Outrigger Control Block on Both Side
- _____ Emergency Stop Switch
- _____ Electric Main Control Panel and Local Controller
- _____ Pneumatic Solenoid Valve Type PTO Control
- _____ Stroke Changeover Switch

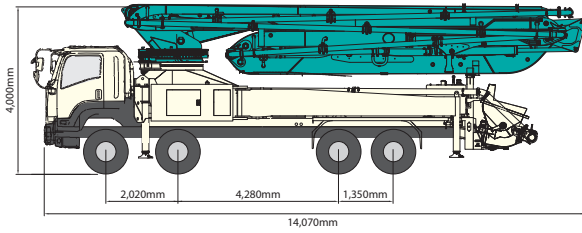
OPTIONAL

- | | |
|-----------|---|
| | _____ Twin Wall Pipe |
| Boom | _____ Auto Lubrication |
| | _____ Working Light |
| | _____ One Side Support (OSS) System |
| Outrigger | _____ Rear Outrigger Auxiliary Fuel Tank |
| | _____ Pipe Storage Bracket on One Side Rear Outrigger |
| | _____ Cover |
| Hopper | _____ Safety Device |
| | _____ Central Manual Lubrication |
| | _____ Vibrator |
| Platform | _____ Aluminum Platform |
| | _____ Spare Tire Storage Bracket |
| Paint | _____ Customized Color |

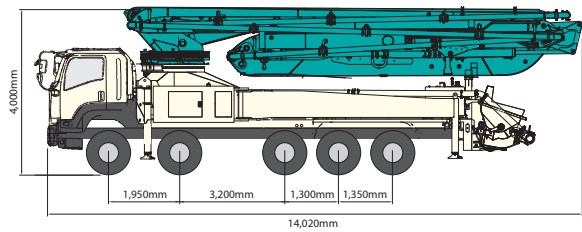
Note) For more optional item not mentioned above please consult the manufacture.

SPECIFICATIONS

DIMENSIONS



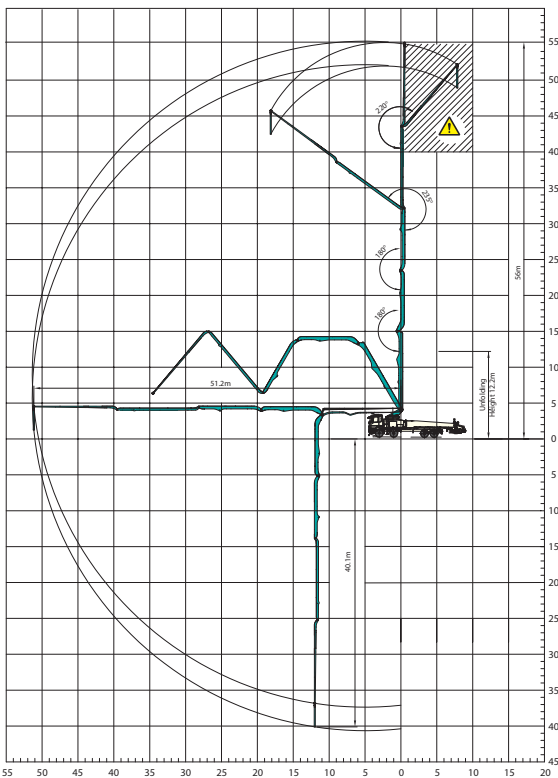
Front Axles Loading Weight	14,700kg
Rear Axles Loading Weight	25,200kg



Front Axles Loading Weight	12,700kg
Rear Axles Loading Weight	27,800kg

* Weight and dimension figures here are subject to change on various chassis option and additional axle application etc.

WORKING RANGE



⚠ Don't use in caution area

UNIT : m

PUMP

Pump Cell	2116
Control System	Closed Free Flow Hydraulic
Main Pump	A4VG125X2
Concrete Cylinder (mm)	Dia.230 Stroke 2,100
Drive Cylinder (mm)	Dia.140 Stroke 2,100
Theoretical Concrete Output (m ³ /h)	160
Theoretical Concrete Pressure (bar)	85
Stroke No. (per minute)	30
Transfer Tube Type	S-Tube, S2018 (Dia. 200-180mm)
Hopper Volume (liter)	600

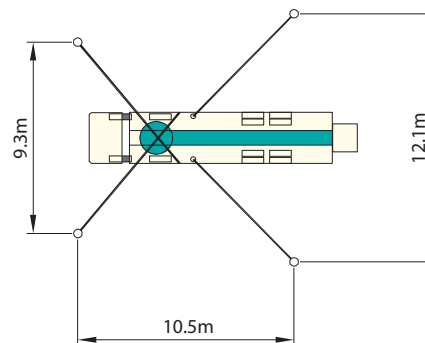
BOOM

Folding Type	5 Stage RZ-folding
Slewing Angle	360deg.
Max. Vertical Reach	56m
Max. Horizontal Reach	51.2m
Max. Depth Reach	40.1m (Incl. End Hose 3m)
Unfolding Height	12.2m
End Hose Length	3m
Delivery Pipe Dia.	125mm

OUTRIGGER

Front Outrigger	Two Stage Diagonal Extension Full Spread Width 9.3m
Rear Outrigger Type	One Stage Swing-out Full Spread Width 12.1m

OUTRIGGER SPREAD



Note) Technical amendments are reserved. The specifications are subject to change with or without prior notice.

EVERDIGM

EVERDIGM is large sized company with \$250M turnover providing customers across the world with its quality products. EVERDIGM has been working and growing based on the platform of advanced quality, professionalism and real satisfaction. Standing behind the customers taking responsibility at all stage its product life cycle is EVERDIGM's commitment.



Build the Future

The spirit, "build the future", enables EVERDIGM to make a remarkable growth over 80 countries now. EVERDIGM offers the best value concrete pump which is key to build the brighter future for dealers and customers.

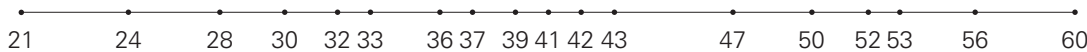
Concrete Pump

- Free Flow Hydraulic System
- Boom Pump Ranging from 21M to 60M
- Placing Boom of Various Design
- High Pressure Trailer and Line Pump



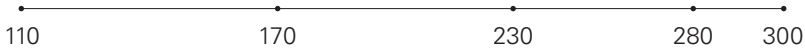
Truck Mounted Boom Pump Line-up (Max. Vertical Reach)

Unit : m



Trailer Pump Line-up (Max. Concrete Pressure)

Unit : bar



Line Pump Line-up (Max. Concrete Pressure)

Unit : bar



Placing Boom Line-up (Max. Horizontal Reach)

Unit : m



Distributed by

Head Office & Factory
332-3, Janggwan-Ri, Jincheon-Eub, Chungcheongbuk-Do, Korea
Tel_+82-43-530-3300 Fax_+82-43-530-3429

Sales & Marketing Office
Room #1203, Woolim Lion's Valley 2, 680, Gasan-Dong, Geumcheon-Gu, Seoul, Korea
Tel_+82-2-801-0800 Fax_+82-2-801-0899

@EVERDIGM Corp. Printed in Korea

